

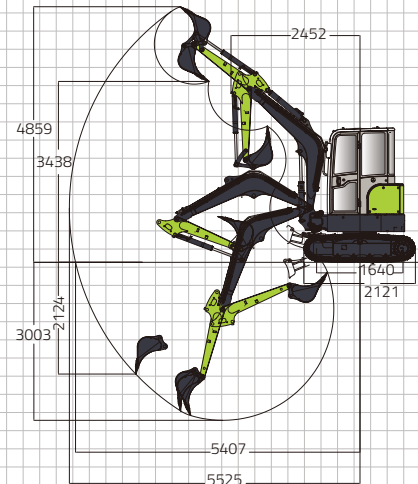
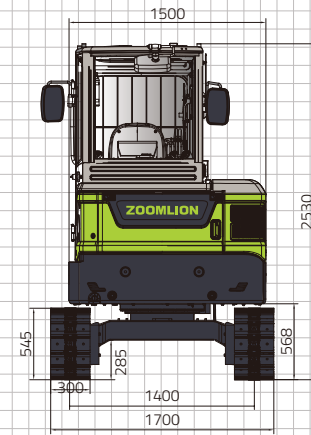
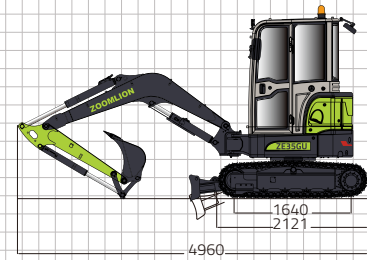
CRAWLER EXCAVATOR ZE35GU



ZOOMLION

CRAWLER EXCAVATOR ZE35GU

	Items	ZE35GU
Basic Technical Data	Operating Weight	3790 kg
	Standard bucket capacity	0.1 m ³
	Slewing Speed	9 r/min
	Traveling Speed(high/low)	4.5/2.3 km/h
	Digging Force of Bucket	31.5 kN
	Digging Force of Stick	19.5 kN
Engine	Engine Manufacturer	Kubota
	Engine Model	D1703
	Rated Power	18.2 kW / 2200 rpm
	Displacement	1.647 L
	Emission Standard	EU Stage V / Tier 4F
Dimensions	Length	4960 mm
	Width	1700 mm
	Height	2530 mm
	Tail Slewing Radius	850 mm
	Track Gauge	1400 mm
	Length of Track On Ground	1640 mm
Operating Range	Max. Digging Reach	5525 mm
	Max. Digging at Ground Level	5407 mm
	Max. Digging Depth	3003 mm
	Max. Digging Height	4859 mm
	Max. Dumping Height	3438 mm



ZOOMLION

Zoomlion Heavy Industry Science & Technology Co.,Ltd.

Add: No.361, South Yinpen Road, Changsha, Hunan Province, P.R.China 410013

Email: earthmoving@zoomlion.com

Copyright©2023 Zoomlion. All rights reserved. Reproduction and copying of any part of contents is not allowed for any purposes without Zoomlion's approval.
Note: Materials and specifications are subject to change without notice. Featured machines in photos may include additional equipment.

